

USER MANUAL



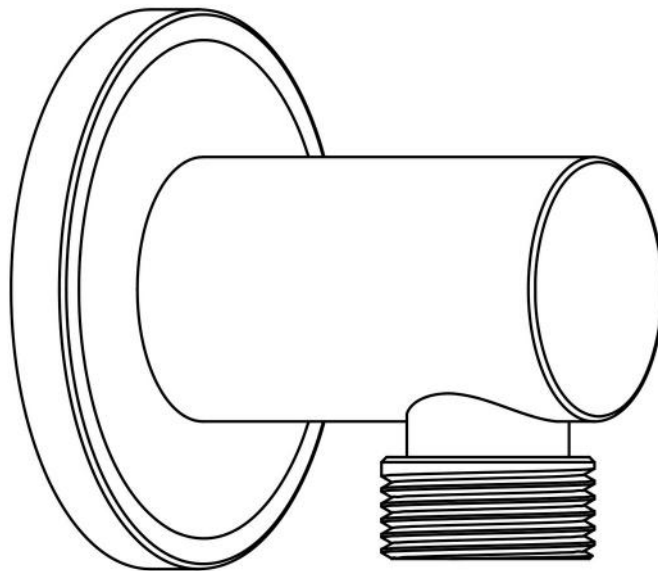
Thank you for choosing Better Bathrooms.
Please read this manual before installing your product
and keep for future reference.

better 
bathrooms

Product

ARIMB017 - Arissa Matt Black Outlet Elbow

ARIBB019 - Arissa Brushed Brass Outlet Elbow



- **Single-person assembly**
- **Tools required**
- **We always recommend using professional tradespeople to install your product**

V1_3/9/2022

And welcome to our growing gang of savvy shoppers

We're on a mission to bring you extraordinary bathroom products, for less. From modern to traditional style ceramics, plus the gorgeous fixtures, fittings and furniture to match. So, you can fall in love with your space every single day.

As one of the UK's largest independent bathroom stores, we've received countless awards; including the National Business Awards UK, the Digital Entrepreneur Awards and being placed on The Sunday Times Fast Track 100.


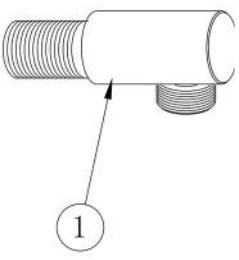
We hope your new product goes above and beyond your expectations. However, should any problems occur, please:

- log in to your account and contact our customer services team via your self-serve portal – betterbathrooms.com/CustomerAccount/Login
- contact us via betterbathrooms.com/content/contact-us

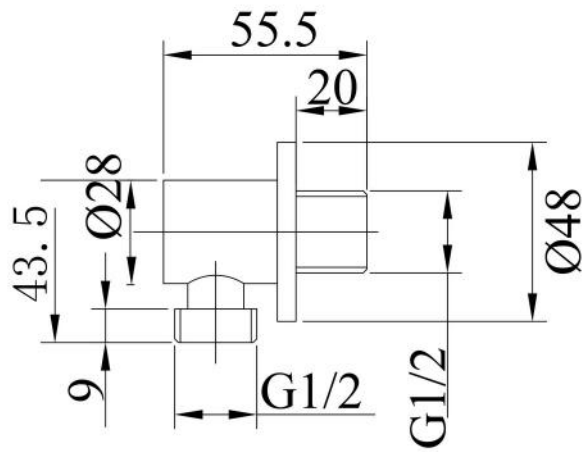
Important information

- Please read these instructions thoroughly and retain for future reference
- Installation must be carried out in compliance with The Water Fittings Regulations and Scottish Water Byelaws.
- Please do not connect hot and cold water supply lines in reverse. This could result in hot water flowing from cold line and cause scalding.
- The feed-water temperature of water shall not exceed 85°C. Exceeding 85° may cause scalding, the service life of shower might be shortened, or the shower might be damaged.
-

Parts / Diagrams

	No	Part Description
	1	Elbow
	2	Wall trim

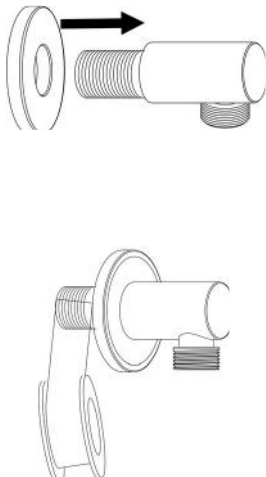
Dimensions



Tools required

- Seal tape

Installation

	<ul style="list-style-type: none">• Fix the trim over onto the elbow.• Apply an appropriate amount of seal tape to the thread of the elbow and fix it into water supply pipe in the wall
---	---

Troubleshooting

Issues	Inspection Item
Water leak	<ul style="list-style-type: none">• Has proper amount of seal tape applied to the thread of elbow• Is the thread fully tightened with the water supply pipe

Maintenance and Cleaning

To maintain the surface of your product, wipe with a clean damp cloth and wipe dry, do not use any abrasive cleaning agents or materials.

If any harsh chemicals come into contact with the surface of the product, rinse and wipe clean immediately.

For more information

- visit betterbathrooms.com
- email customerservices@buyitdirect.co.uk
- call 03303903062
- write to Trident Business Park, Neptune Way, Huddersfield, HD2 1UA

**better
bathrooms**

Part of the BuyItDirect Group

